

INTERRA 60-68-74-78

INSTRUCTION FOR INSTALLATION AND USE



PASSION FOR FIRE

SUMMARY

1. GENERAL.....	3
1.1 TRANSPORT AND INSTALLATION	3
1.2 FUEL	3
1.2.1 <i>Wood</i>	
1.2.2 <i>Forbidden fuel</i>	
1.3 STARTING THE FIRE	4
2. INSTALLATION	5
2.1 ACTIONS TO BE TAKEN UPON INSTALLATION	5
DISMANTLING THE COMBUSTION CHAMBRE	6
2.2 CONVECTION CURRENT.....	7
2.2.1 <i>Natural convection</i>	
2.2.2 <i>Convection generated by a fan (optional)</i>	
2.2.3 <i>Fan dimmer</i>	
2.3 AIR SUPPLY FOR COMBUSTION ..	8
2.4 INSTALLATION WITHOUT FAN ...	9
2.4 FLUE	10
2.4.1 MINIMUM HEIGHT FLUE	10
2.4.2 ADJUSTING THE BAFFLE PLATE	11
3. GENERAL RECOMMENDATIONS..	12
3.1 MAINTENANCE	12
4. GUARANTEE	13
4.1 TERMS AND ITEMS COVERED	13
4.2 PROVISIO	13
4.3 DISCLAIMER.....	13
5. DRAWINGS.....	14-17
6. FINISHING FRAMES.....	18
6.1 MEASUREMENTS FRAMES 4-side	19
6.2 MEASUREMENTS FRAMES 3-side	20
6.3 SPARE PARTS	21
7.IMPORTANT GENERAL REMARKS AND WARNINGS	22

1. GENERAL

1.1 TRANSPORT AND INSTALLATION

- Transport the INTERRA in an upright position, or, in encumbering circumstances, at an angle of 45°. Remove screws on the pallet (pic 1)
- The handles for transportation (optional) purposes have been attached inside the slots provided on the sides of the INTERRA . (pic. 2)



pic. 1



pic.2

1.2 FUEL

1.2.1 Wood

The quality of the wood is extremely important for the optimal functioning of the stove (output, clear glass, etc.).

Good quality wood is wood that has been dried under an aerated shelter for at least 2 years (+ 18% moisture content). Damp wood gives off less heat and dirties the stove and the chimney less.

You can also use briquettes (the effect is comparable with that of wood), and it is best to use them in combination with wood because burning only briquettes makes the temperature too high.

Never over fill the stove with wood because when the chimney draws too much, it can make the temperature too high. Damage as a result of excessive temperature is not under guarantee.

1.2.2 Forbidden fuel

The use of treated wood (painted, etc.) and all types of household waste, which can disperse hazardous gases, is FORBIDDEN and CANCELS OUT ANY CLAIM ON THE GUARANTEE. The use of fluid fuel (petrol, etc.) is also forbidden.

1.3 STARTING THE FIRE

- Open the window (pic.).
- Put a bed of tinder (paper or firelighters) with a little kindling (small twigs or pieces of wood) in the stove and light the tinder.
- Leave the door slightly ajar (+ 3 cm) to get a turbo stream of air that will make the kindling catch fire quicker.
- After the kindling has caught fire and burns well, the logs may be placed on the fire. After the logs have caught fire and giving off a good radiant heat, the window may be shut.

NOTE: When a fire is made for the first time, the paint will harden and that give off smoke and a smell, which starts after the fire has burned for about 10 minutes and lasts for about 15 minutes. See to it that there is ample ventilation in the room.

CAUTION :

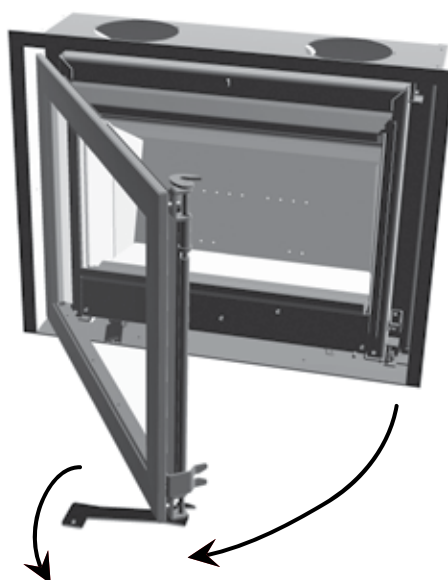
It is not necessary to overload the fireplace with wood.

1 kg dry wood gives a 4 kW power.

Example : a fireplace with a 78% return gives a power for about $4\text{kw} \times 78\% = +/- 3 \text{ kW}$ for 1 kg dry wood.

If you want a power of +/-12 kW , it is just enough to put 4 kg wood in the fireplace. This is like two normal pieces of wood.

Be carefull not to use palletwood (this gives an enormous heat) for continuous heating. This can lead to fire hazard. We are not responsible for the bad use of the fireplaces and any consequence for not following this guideline.



2. INSTALLATION

2.1 ACTIONS TO BE TAKEN UPON INSTALLATION

Your supplier is the specialist who chose to represent M-design in your area. For your own safety and satisfaction, we advise you to entrust him with the installation. The appliance has to be installed according to certain prescribed rules and local regulations.

However, if you decide to carry out the work on your own, we advise you to do the following:

- Refer to the terms and conditions of our contract of guarantee.
- Ask your supplier for advice on how to comply with regulations.
- Tolerances of appliance from combustibles : 30cm

INTERRA has been designed so that it is easy to install.

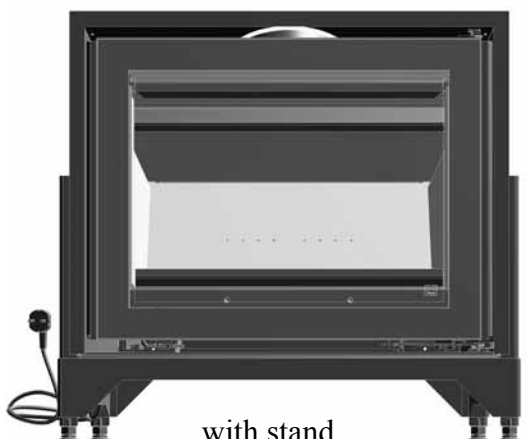
The combustion chamber can be completely slid out of the encasement. This makes it easy for one single person to easily install the appliance and a second person is only necessary to help a few minutes to slide the combustion chamber back in. In this way, one can later still work on the chimney in the case of certain problems, without having to remove the stove completely

Installation :

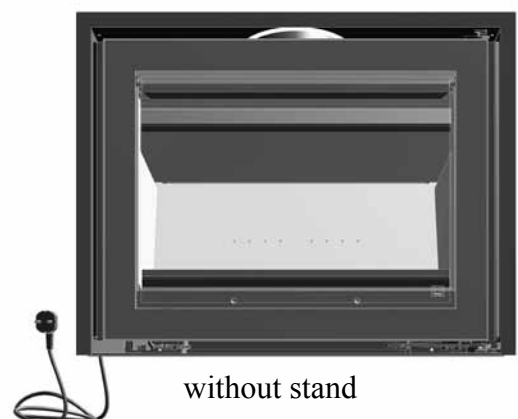
- Open the door
- Remove the smoke damper and the baffle plate.
- You can slide the combustion chamber out of the encasement, but it is not obligatory.
- Assemble the encasement and make the necessary connections
- When everything is connected you can put the combustion chamber in place (in the case you removed it first)



Remark : In some situation it's easy to install the fireplace with an optionally stand.

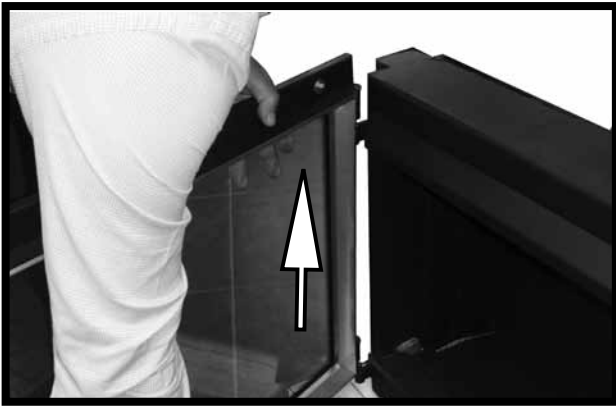


with stand

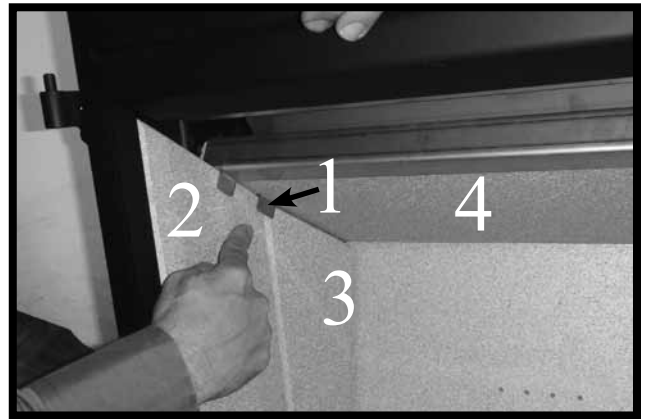


without stand

DISMANTLING THE COMBUSTION CHAMBRE



Lift up the door and remove it.



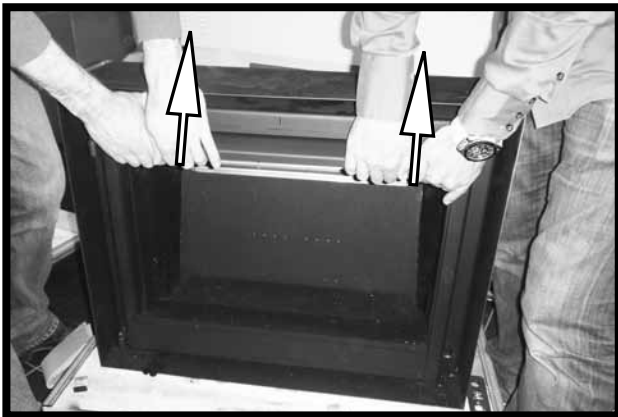
Remove metal piece nr 1 and in order 2,3 and 4, the chamot



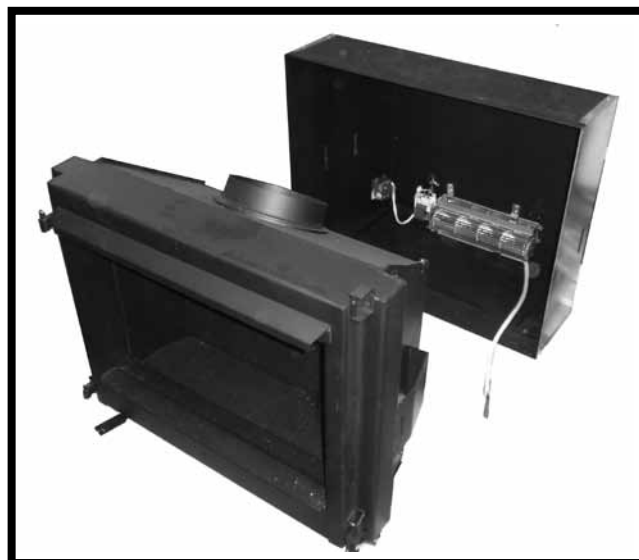
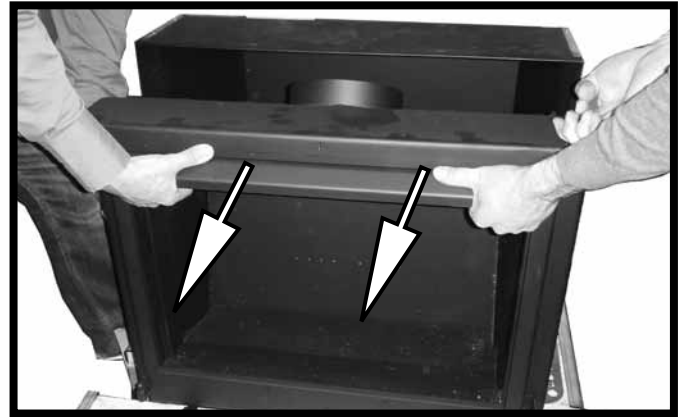
Remove baffle plate



and deflector



Lift up with two persons the front and slide it out of the exterior frame



2.2 CONVECTION CURRENT

The INTERRA can be ordered with or without pre-installed fan . This must be confirmed when ordering.

2.2.1 Natural convection

Without fan you are not obliged to use the hot air vents.

But if above the fireplace there is a decorative wooden beam or other combustible material you have to install Hot Air Vents.

PICTURE BELOW : CIRCULATION FLOW OF THE CONVECTION AIR.

2.2.2 Convection by means of a fan (optional)

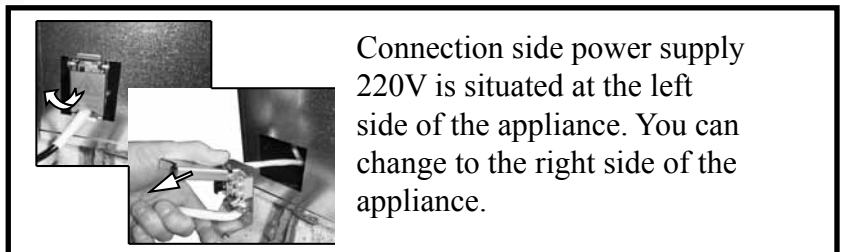
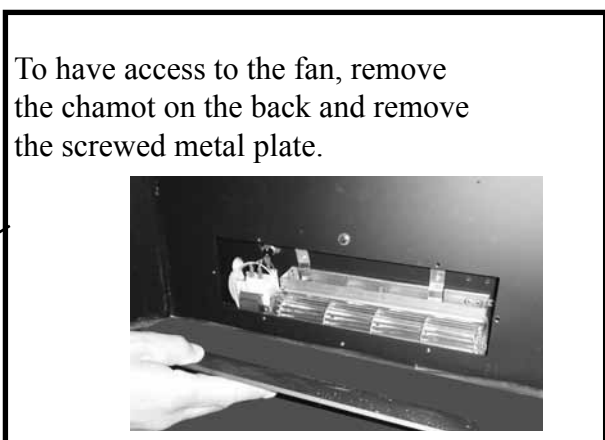
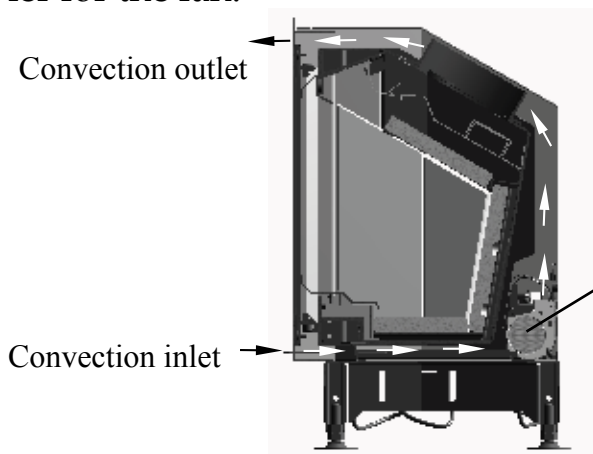
If you opt for a fan, the fresh air will be drawn in from below of the appliance and then blown out through the convection casing. The fan is mounted on the back of the appliance. By removing the chamot on the back and unscrew the metal plate behind this chamot, it's easy to have acces to the fan.

When using a fan it is not obligatory to connect air ducts.

2.2.3 Fan (optional)

- The fan (optional) starts automatically when a temperature of 50°C is reached, and swithes off again automatically when 30°C is reached.
- The fan (optional) stops automatically working when the door you open the door.

This is a fully automatically working fan, without using a Dimmer or Speed Controller for the fan.

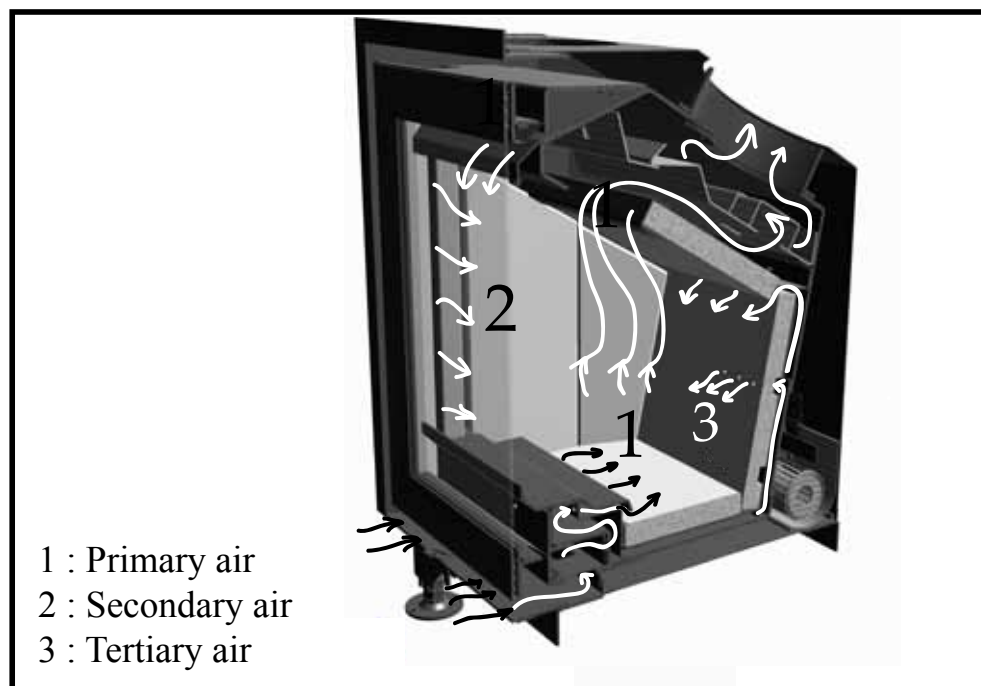
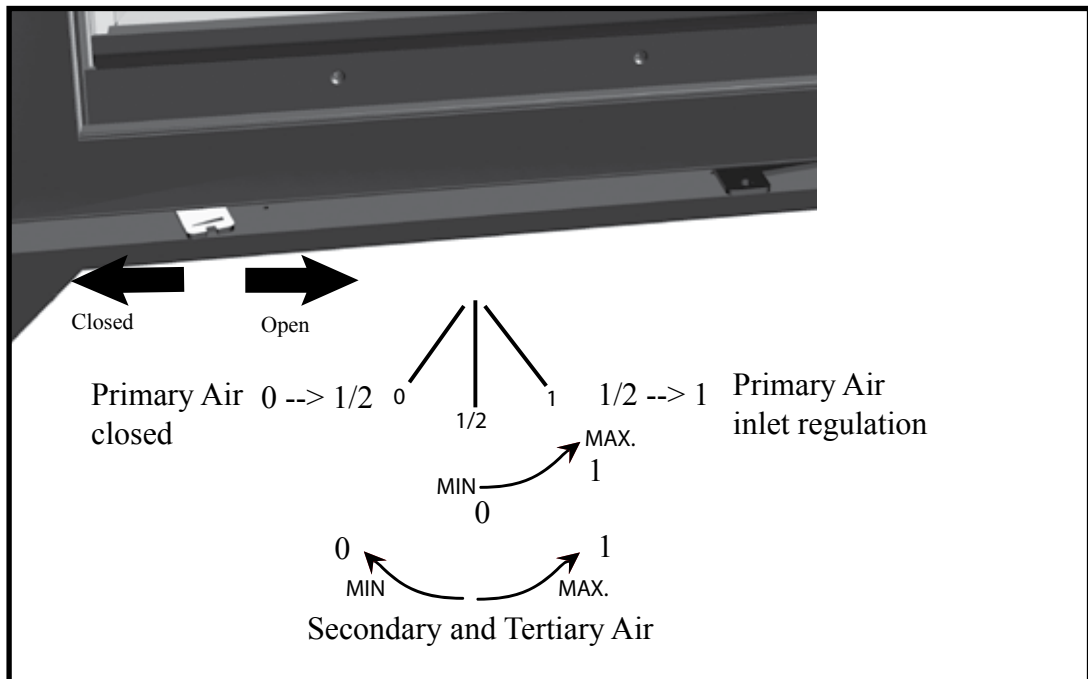


2.3 AIR SUPPLY FOR COMBUSTION

Every form of combustion uses air. In the case of a thermally sealed room supplementary air is essential. You have to avoid creating under-pressure in the room. Please be careful and look out that enough fresh air is available in the living room.

If a cooking hood appears to be absolutely essential in an adjoining room, sufficient air supply will have to be provided to avoid every form of under-pressure.

With the manual control the combustion may be adjusted to possible increase or decrease the intensity of the fire

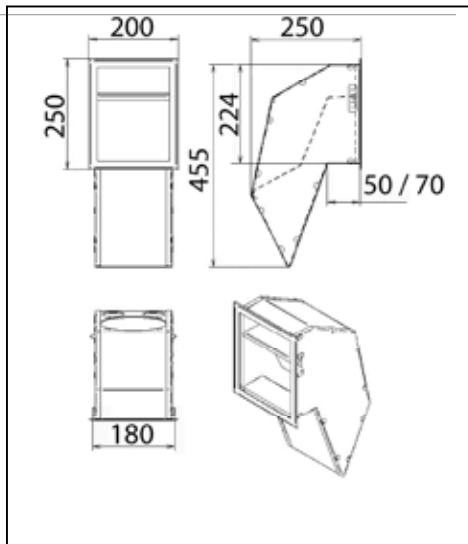
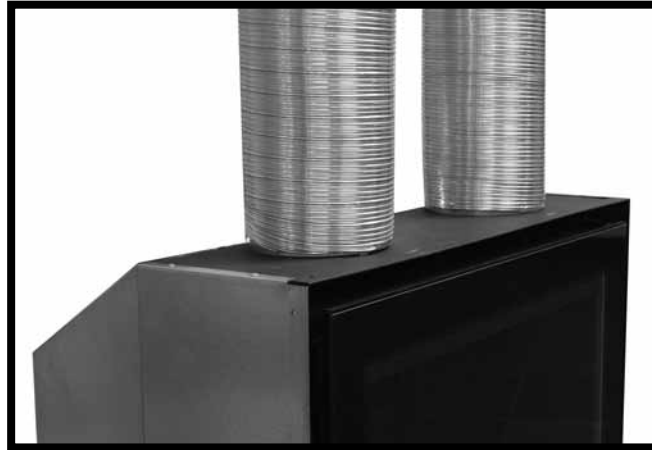


2.4 INSTALLATION WITHOUT FAN AND WITH HOT AIR VENTS

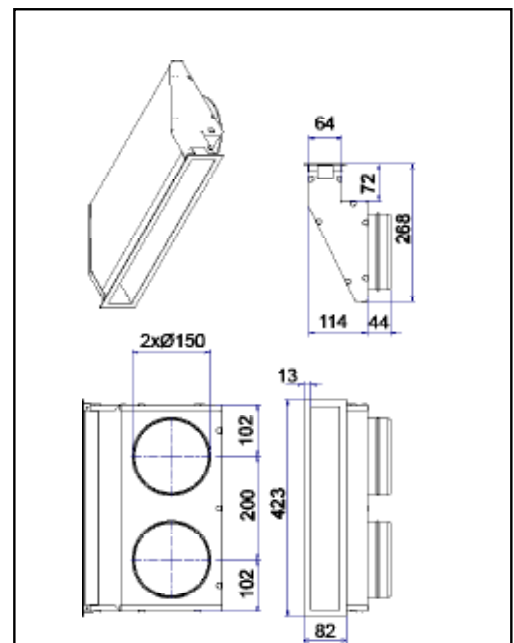
Without fan you are not obliged to use the hot air vents.

But if above the fireplace there is a decorative wooden beam or other combustible material you have to install Hot Air Vents.

When using a fan it is not obligatory to connect air ducts.



OR



2.5 THE FLUE

The standard diameter of the Interra exhaust is:

INTERRA 60	Ø 150
INTERRA 68	Ø 180
INTERRA 74	Ø 180
INTERRA 78	Ø 180

The construction of chimney must comply with strict conditions:

- The flue must be thermally insulated.

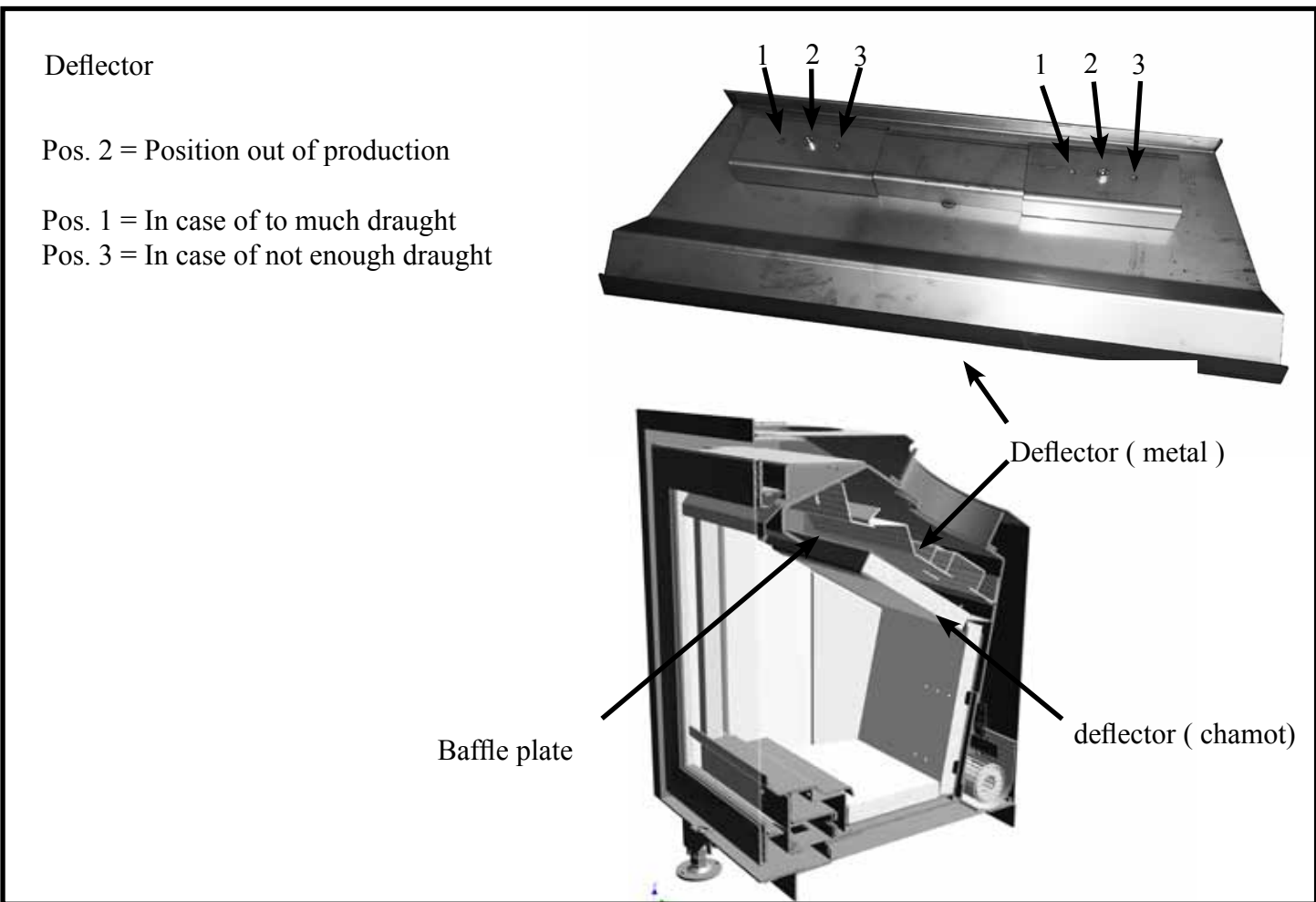
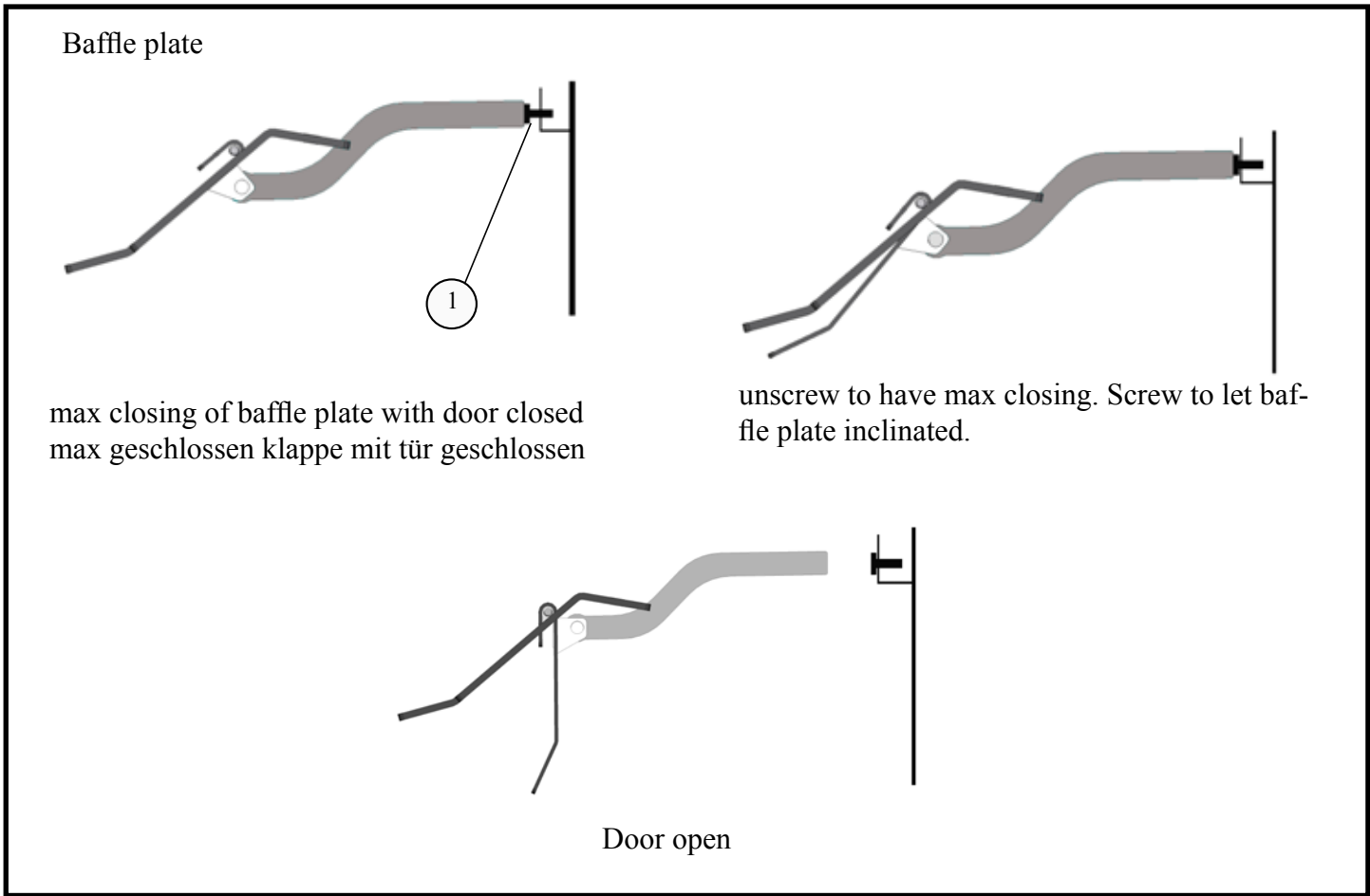
The opening into the flue and its position are very important.

- One individual flue must not have more than two changes of direction and may not be greater than 45 degrees with the perpendicular.
 - The existing obstacles in the vicinity of the opening into the flue must be taken into account.
 - Do not connect more than one stove to a chimney flue.
- Choose the best one.
- Seal the unused ones.

2.5.1 MINIMUM HEIGHT CHIMNEY DUCT.

	Ø 180	Ø 150
Interra 60		≥ 4m
Interra 68	≥ 4m	
Interra 74	≥ 4m	
Interra 78	≥ 4m	

2.5.2 ADJUSTING THE BAFFLE PLATE AND DEFLECTOR FOR INTERRA TO CONTROL DRAUGHT.



3. GENERAL RECOMMENDATIONS

The appliance must be connected to the flue pipe and tested before the material is cemented in. In order to ensure that the appliance functions optimally, one must insulate the hot air ducts completely, comply with the minimum of the diameter measurements for the hot air ducts and hot air vents and the chimney must be adjusted. Do not put any inflammable materials in the immediate vicinity of the stove. Note: If you leave the door open, little burning pieces of wood may be projected onto the floor.

Insulating materials: it is preferable to use “high temperature” materials.

It is strongly advisable to position the chimney and to connect the stove in such a way that no humidity or water can enter the stove. Humidity and water are the greatest enemies of the Chamotflex in the appliance because it can swell and burst after the fire has been lit.

3.1 MAINTENANCE

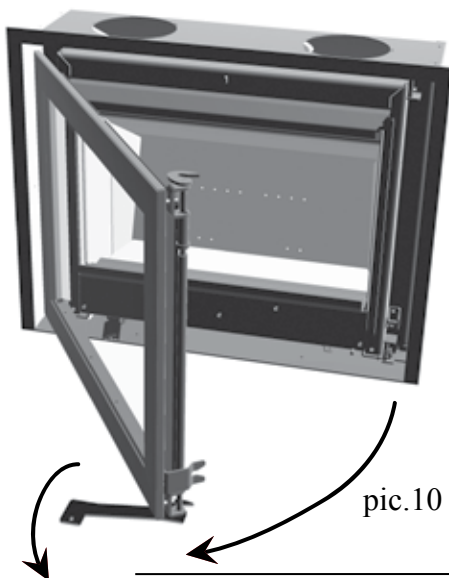
- Besides regularly cleaning the window, you must have your chimney swept at least once a year for optimal functioning of the INTERRA. (Not only is this a legal requirement, but it is also meant for your own safety.)
- A fire brick (Chamotte) can still work perfectly, even if it is cracked, but if pieces are missing the brick must be replaced to effectively protect the combustion chamber.
- Remove the remainder of the ash in time, and remove a great part of the ashes from the INTERRA with the ashpan. Note: Never remove all the ashes because a fire always burns better with its own ashes



ashpan furnished with fireplace

Cleaning the window:

- Open the window (pic. 10)
- We advise you to use M-design’s “Bio-Clean” to clean the window, which is available from your supplier. It is one of the few products that do not harm the lacquer (pic.11).



pic.11

4 GUARANTEE

4.1 TERMS AND ITEMS COVERED

- 8 years' guarantee on the general structure.
- 2 years' guarantee on the parts and on the baffle plate
- 1 year's guarantee on the fans and the speed variator.
- No guarantee on glass, seals or Chamotflex plates

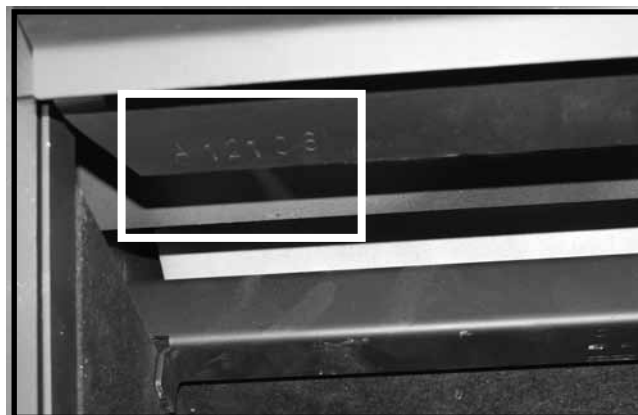
4.2 PROVISO

This contract ceases to be valid if the instructions and guidelines of these operating instructions were not followed. Indemnification during the guarantee period will take place only through the supplier's mediation upon presentation of the invoice of purchase. Parts will be delivered only in replacement of defect parts.

4.3 DISCLAIMER

Damage, loss and malfunctions linked to:

- Incorrect installation of incorrect connection.
- Chimney draught that has not been adjusted.
- Transport and installation.
- Incorrect usage.
- Insufficient maintenance.
- Unsuitable, hazardous and damp fuel.
- Every internal adjustment to or reconstruction of the stove.
- Burning at extremely high temperature, more than 12 kw.
- Costs for packaging and transport.
- All costs not pre-arranged with M-design.
- Costs linked to the misuse and/or abuse of the appliance.

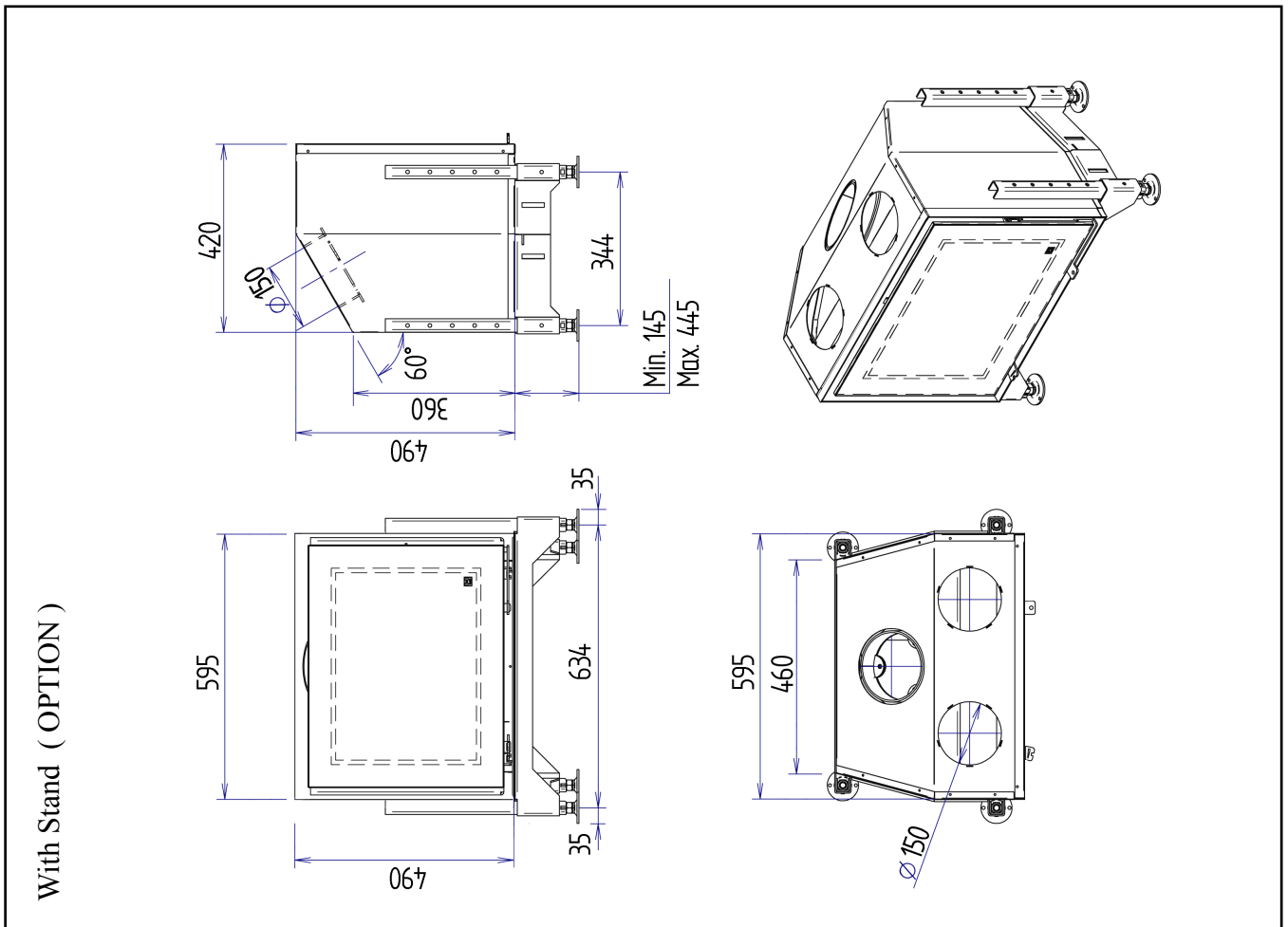
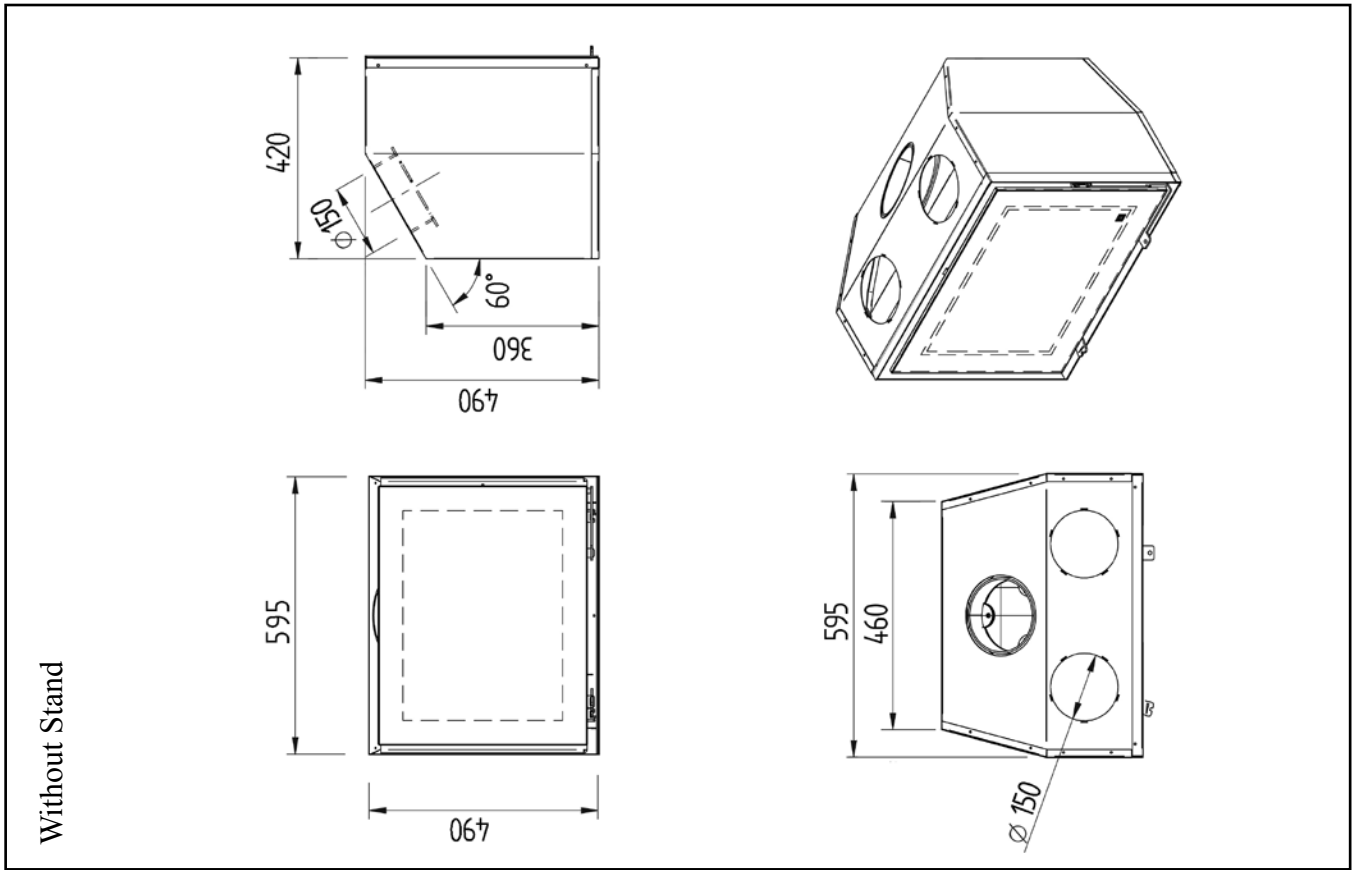


Serial number :

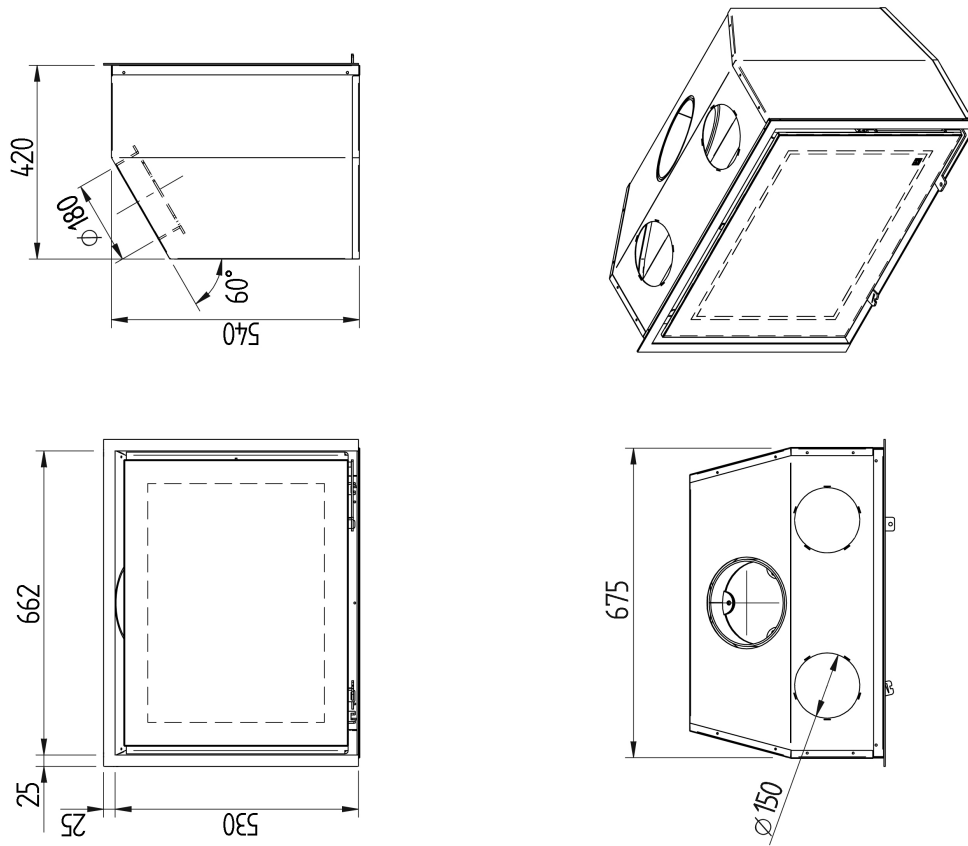
Open the door. Above in the left corner, behind the bended metal sheet you can find the serial number

5. DRAWINGS

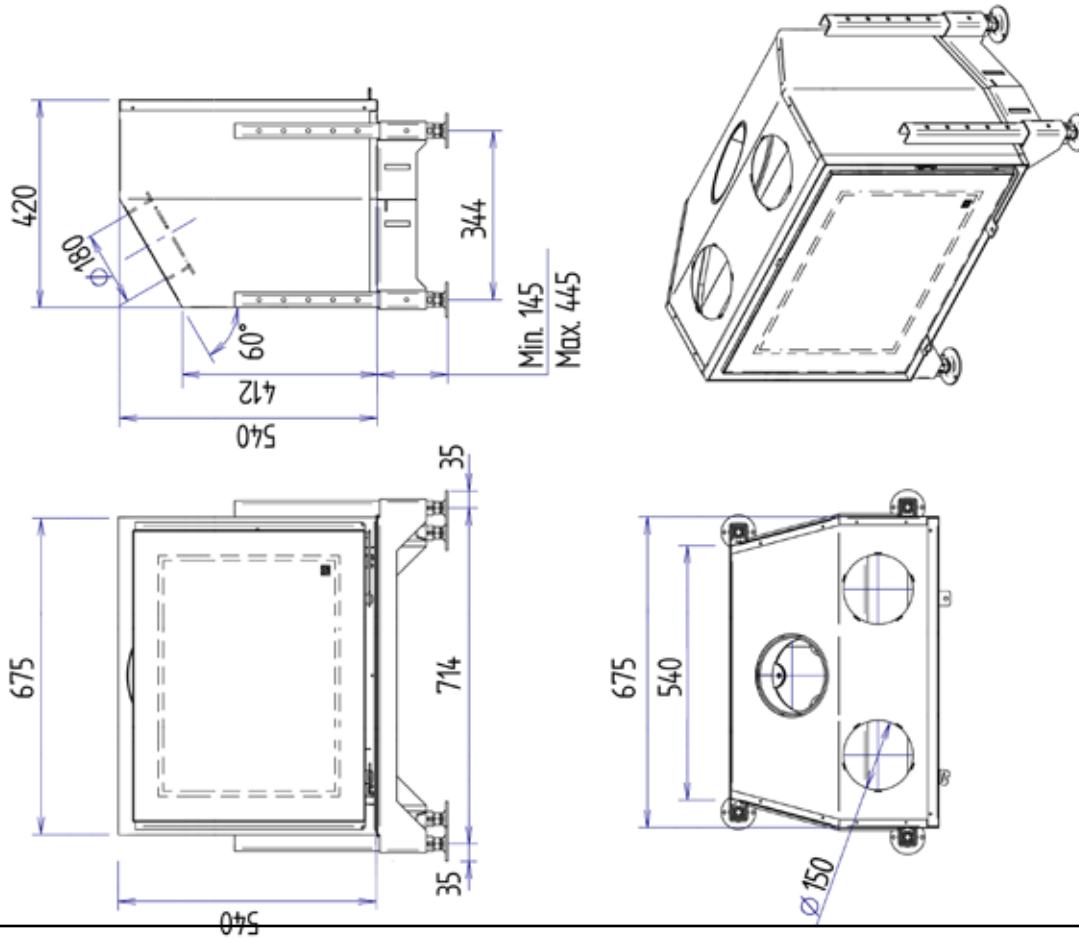
Interra 60



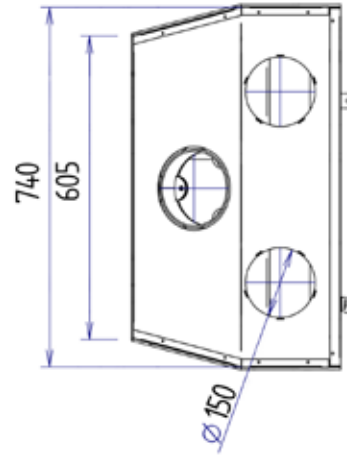
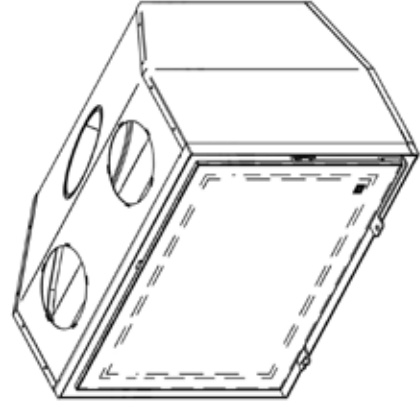
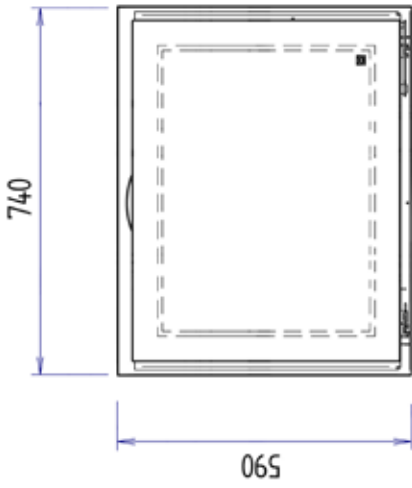
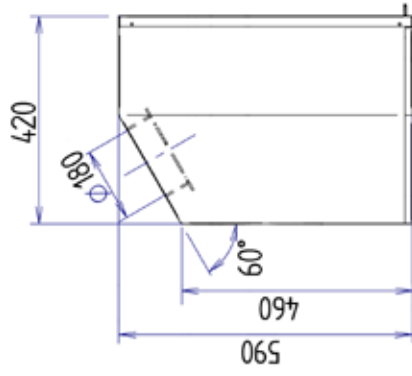
Without Stand



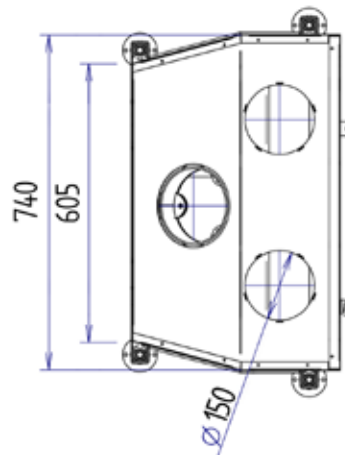
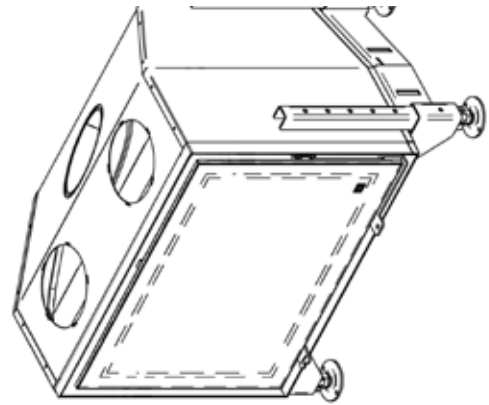
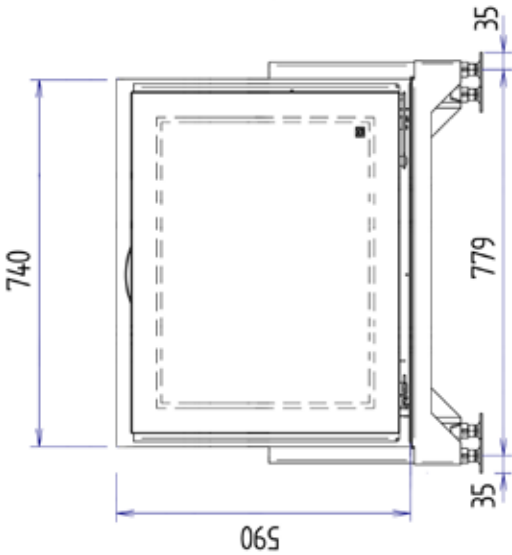
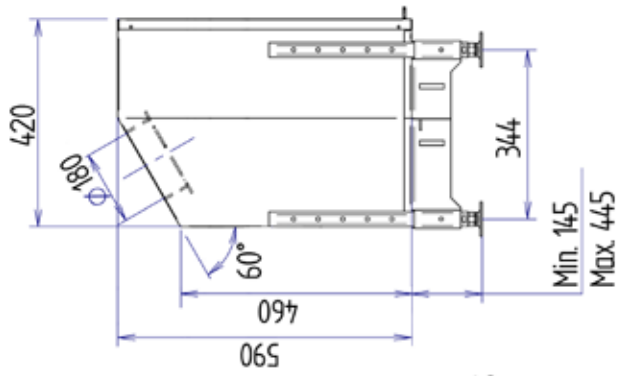
With Stand (OPTION)

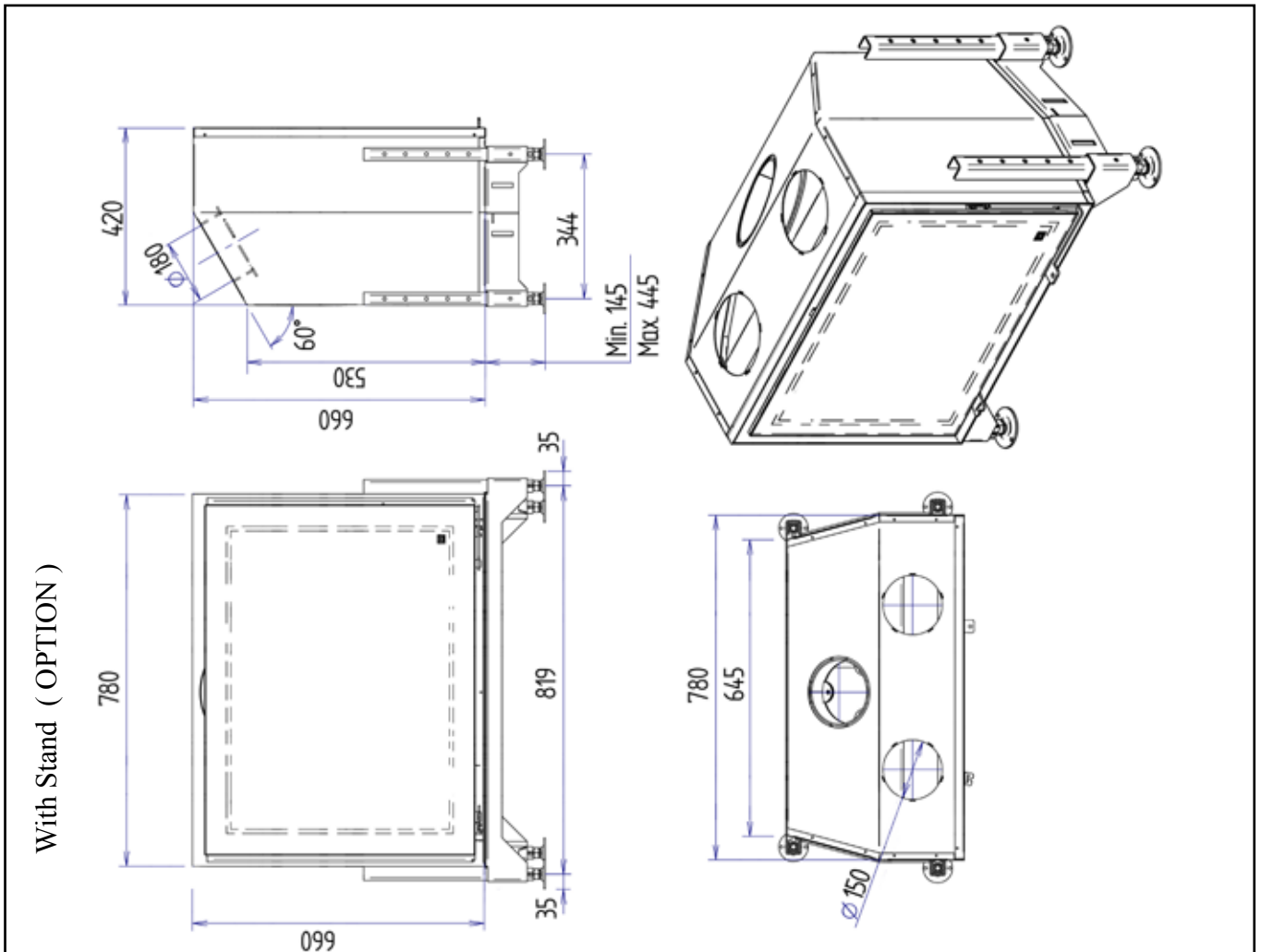
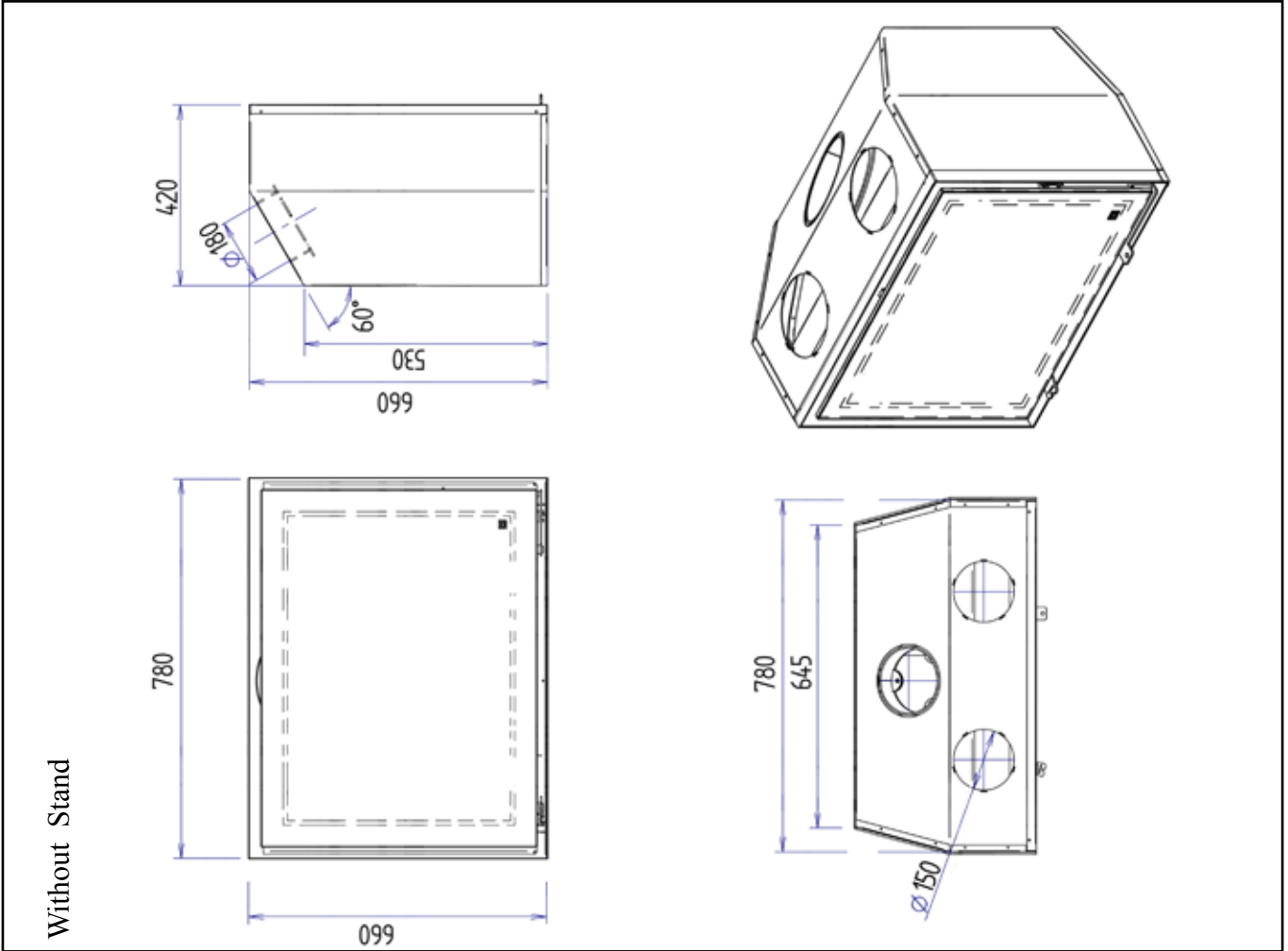


Without stand



With Stand (OPTION)





6. FINISHING FRAME (OPTIONAL)

A 4 sided or 3sided frame can be mounted on the interra, even after the installation the frame can be added.

It's slides inside the exterior frame of the INTERRA

3-SIDED FRAME



4-SIDED FRAME



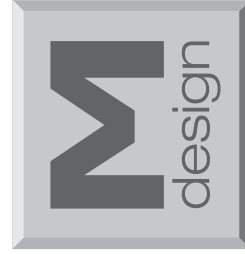
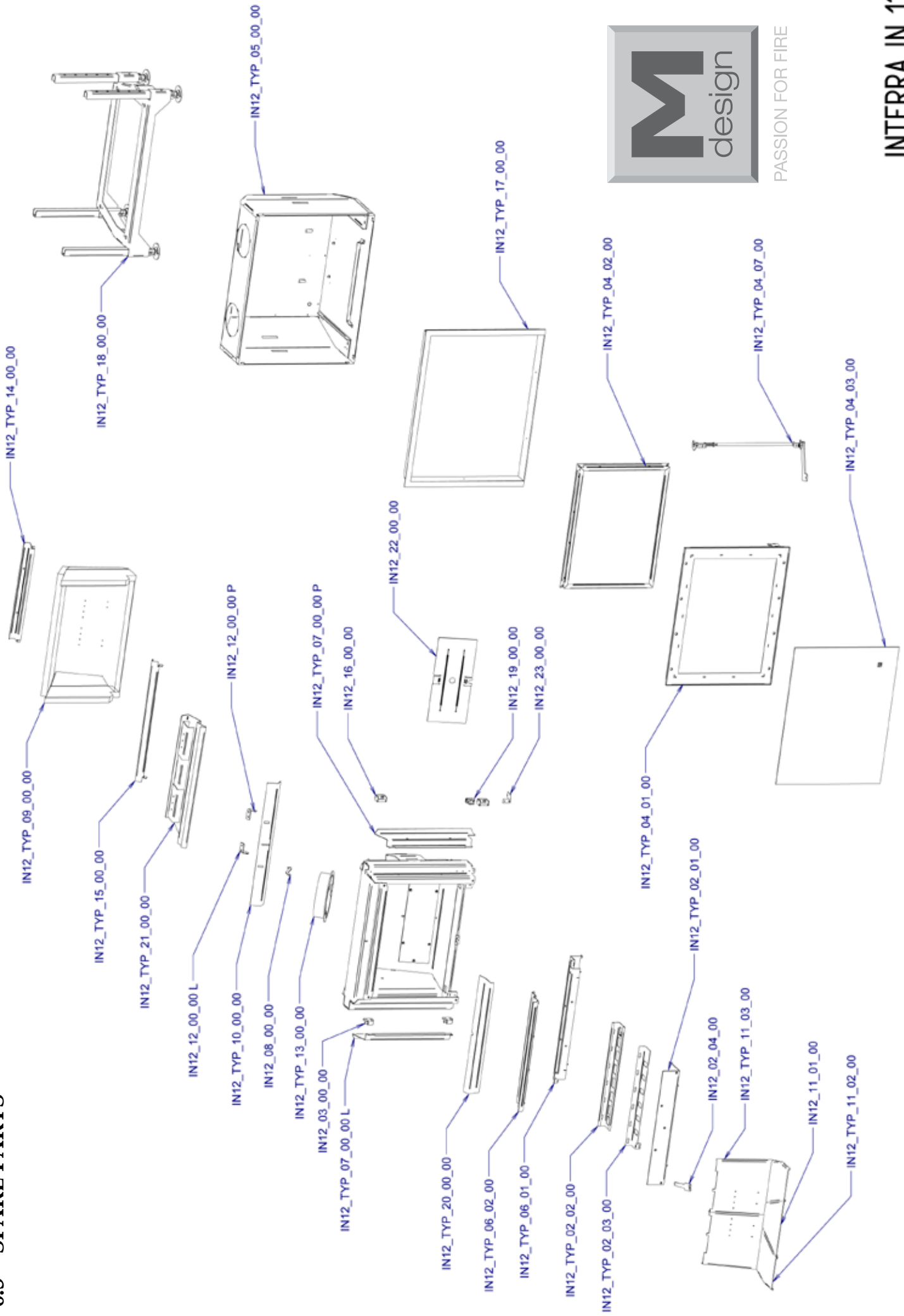
6.1 4 sided frame INTERRA 4 cm and 2cm

INTERRA 60	INTERRA 68	INTERRA 74	INTERRA 78

6.2 3 sided frame INTERRA 4cm and 2cm

INTERRA 60	INTERRA 68	INTERRA 74	INTERRA 78

6.3 SPARE PARTS



PASSION FOR FIRE

INTERRA IN 12

7. IMPORTANT GENERAL REMARKS AND WARNINGS

“The Clean Air Act 1993 and Smoke Control Areas”

Under the Clean Air Act local authorities may declare the whole or part of the district of the authority to be a smoke control area. It is an offence to emit smoke from a chimney of a building, from a furnace or from any fixed boiler if located in a designated smoke control area. It is also an offence to acquire an “unauthorised fuel” for use within a smoke control area unless it is used in an “exempt” appliance (“exempted” from the controls which generally apply in the smoke control area).

The Secretary of State for Environment, Food and Rural Affairs has powers under the Act to authorise smokeless fuels or exempt appliances for use in smoke control areas in England. In Scotland and Wales this power rests with Ministers in the devolved administrations for those countries. Separate legislation, the Clean Air (Northern Ireland) Order 1981, applies in Northern Ireland. Therefore it is a requirement that fuels burnt or obtained for use in smoke control areas have been “authorised” in Regulations and that appliances used to burn solid fuel in those areas (other than “authorised” fuels) have been exempted by an Order made and signed by the Secretary of State or Minister in the devolved administrations.

Further information on the requirements of the Clean Air Act can be found here : <http://smokecontrol.defra.gov.uk/>

Your local authority is responsible for implementing the Clean Air Act 1993 including designation and supervision of smoke control areas and you can contact them for details of Clean Air Act requirements”

The Interra 60-68-74 an 78 has been recommended as suitable for use in smoke control areas when burning woodlogs

- Refuelling on to a low fire bed

If there is insufficient burning material in the firebed to light a new fuel charge, excessive smoke emission can occur. Refuelling must be carried out onto a sufficient quantity of glowing embers and ash that the new fuel charge will ignite in a reasonable period. If there are too few embers in the fire bed, add suitable kindling to prevent excessive smoke

- Fuel overloading

The maximum amount of fuel specified in this manual should not be exceeded, overloading can cause excess smoke.

The following text may be required depending on appliance operation and instructions:

- Operation with door left open

Operation with the door open can cause excess smoke. The appliance must not be operated with the appliance door left open except as directed in the instructions.

- Dampers left open

Operation with the air controls or appliance dampers open can cause excess smoke. The appliance must not be operated with air controls, appliance dampers or door left open except as directed in the instructions.